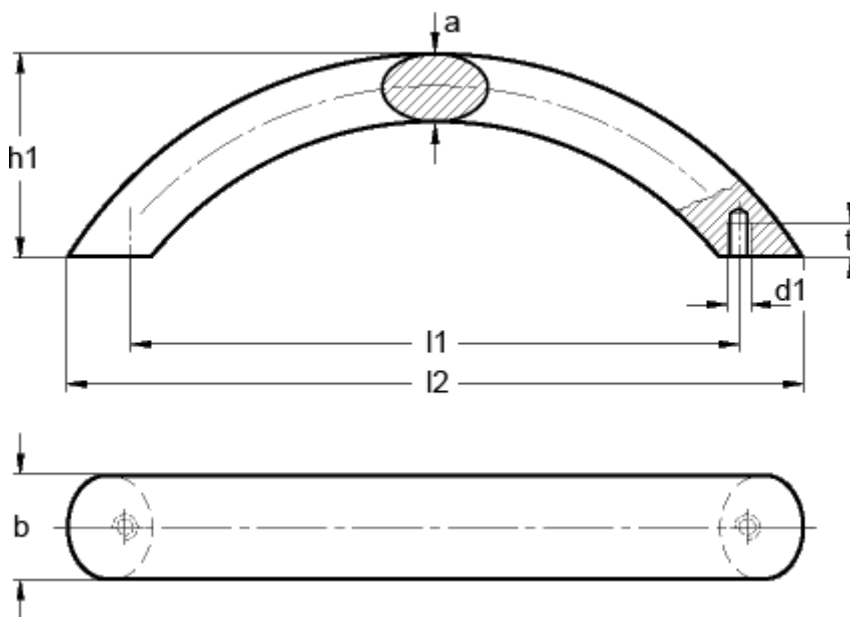


Article number: 20092150

Description: E+G Arch handle GN 565.4-20-160-A-SW

Measures



a	= 13
b	= 20
d1	= M6
h1	= 51
l1	= 160
l2	= 185
t min	= 8.5